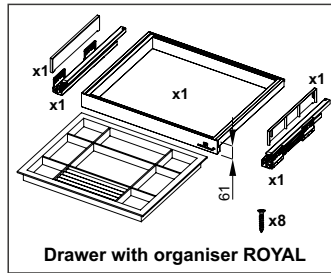
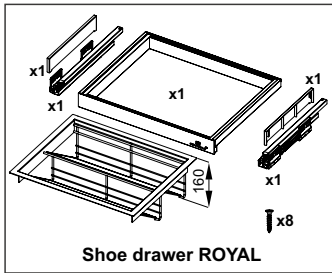
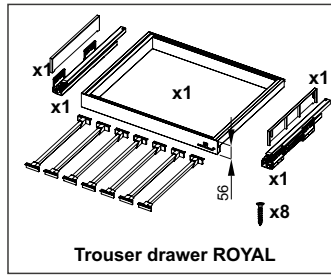
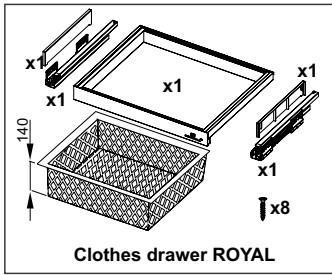


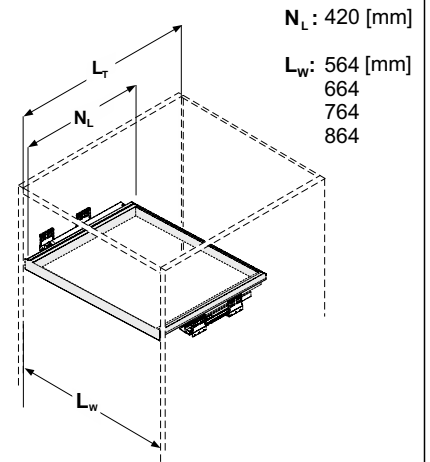
Pull-out drawers

Components



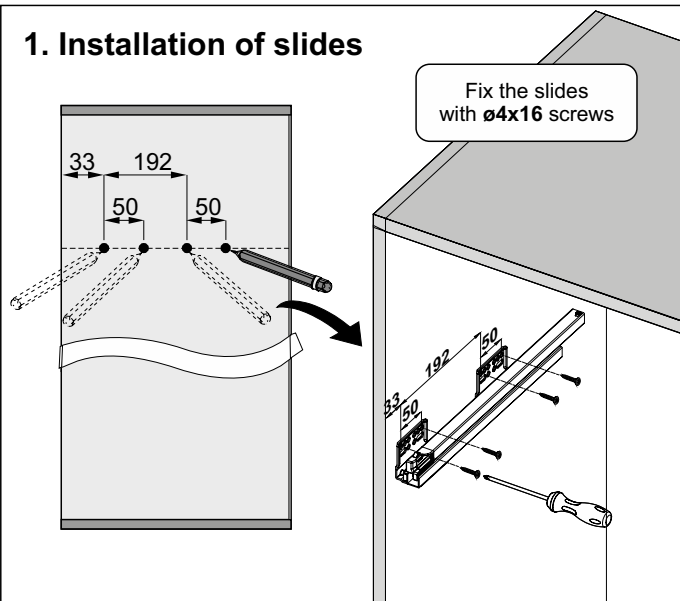
Note: This set includes $\varnothing 4 \times 16$ screws

Carcass dimensions

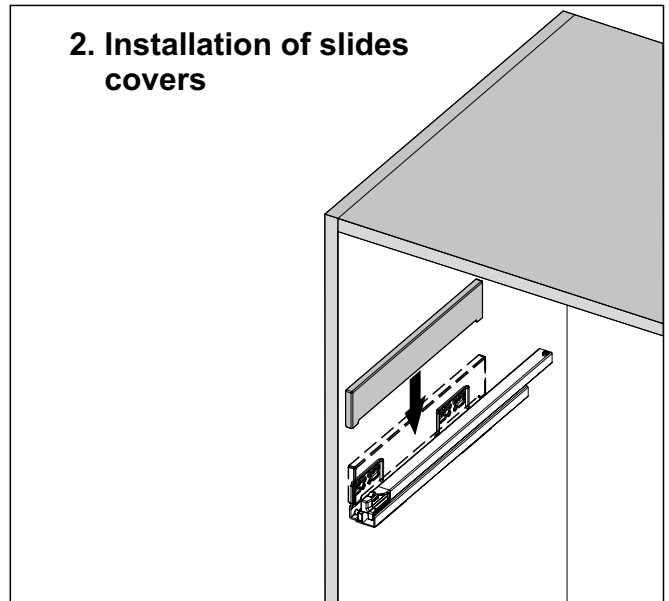


N_L - Drawer depth
 L_T - Internal carcass depth min. $N_L + 5 \text{ mm}$
 L_W - Internal carcass segment width

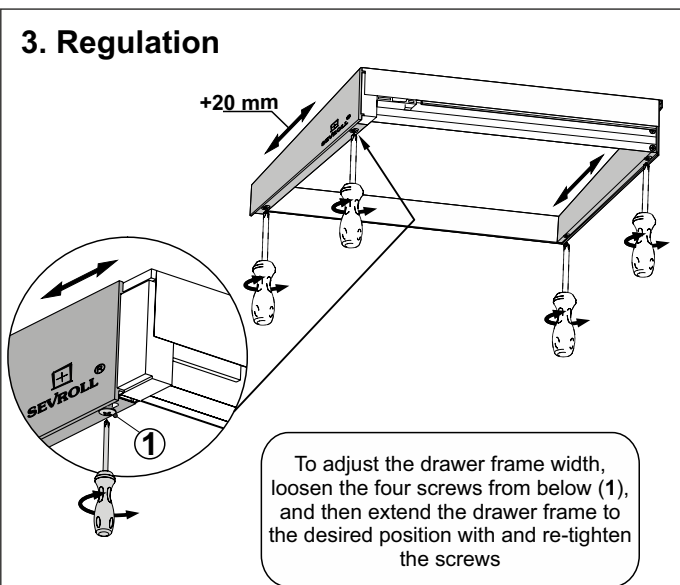
1. Installation of slides



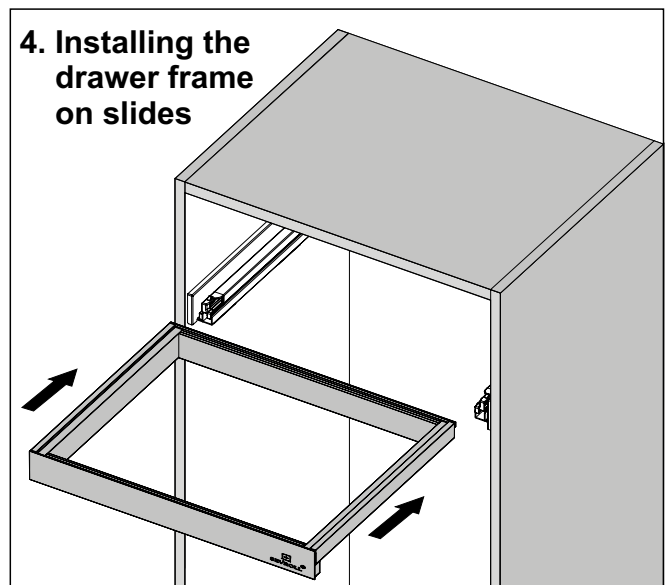
2. Installation of slides covers



3. Regulation



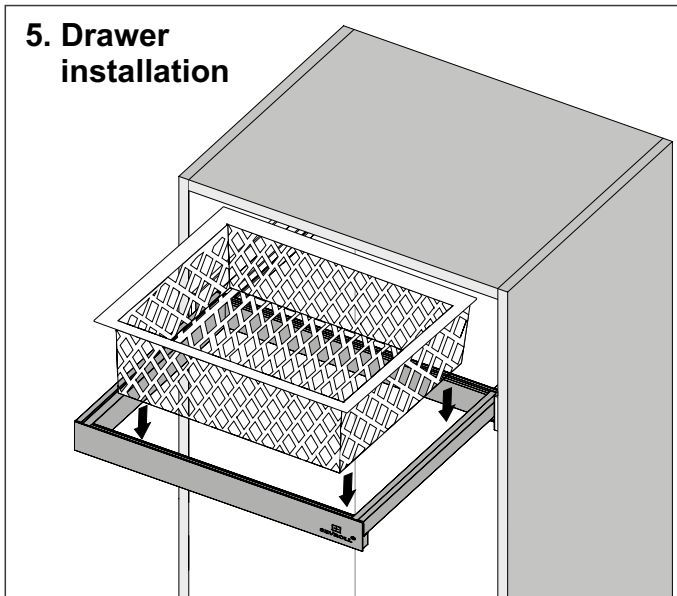
4. Installing the drawer frame on slides



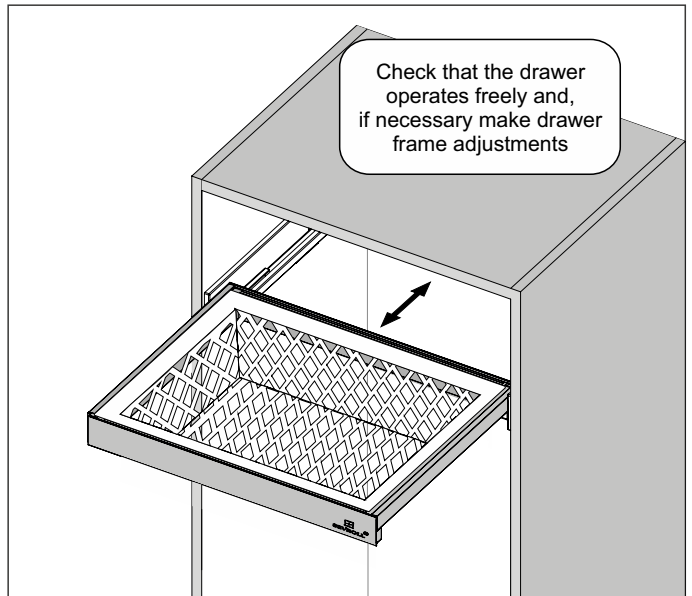


Pull-out drawers

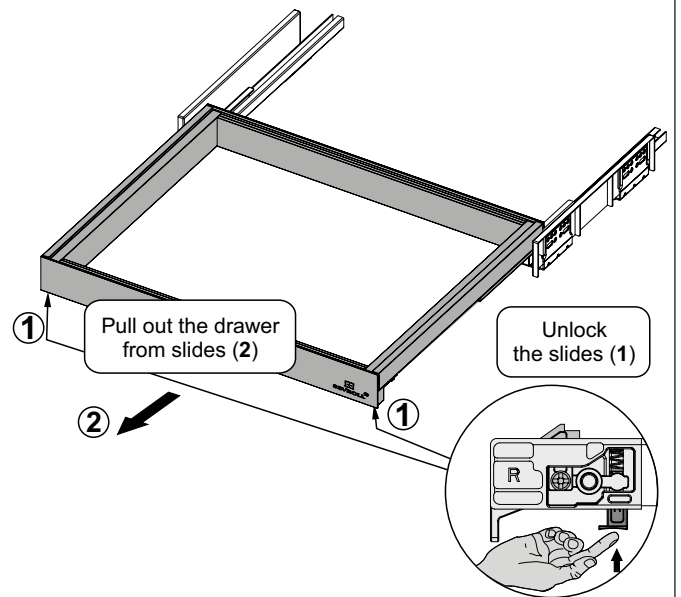
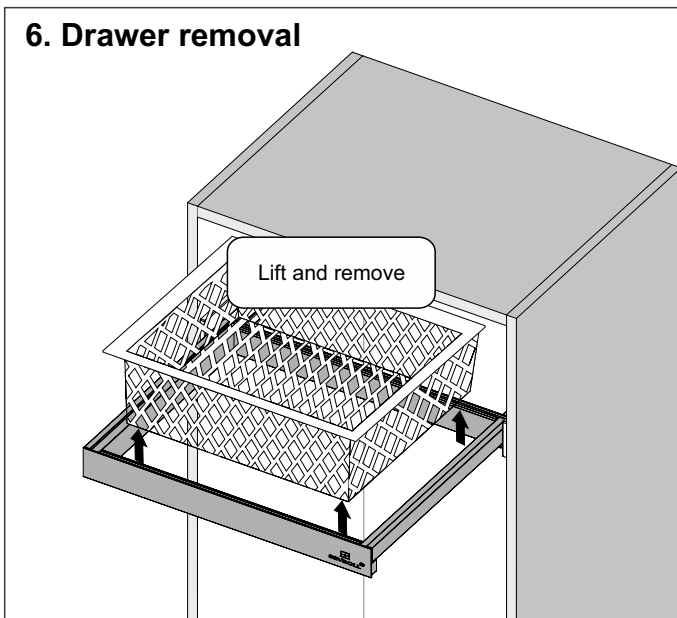
5. Drawer installation



Check that the drawer operates freely and, if necessary make drawer frame adjustments



6. Drawer removal



Drawer front catch

Components

x1

x2

screw $\varnothing 4 \times 16$ x5

1. Release the cover caps

You must remove the factory fitted cover caps before installing drawer front brackets

With a screwdriver carefully release the cover cap - repeat for the other side

2. Pull out the cover caps

withdraw the factory cover caps

3. Fitting the brackets to the drawer frame

Insert the brackets as shown in the picture

4. Drawer front installation

Fix the drawer front using $\varnothing 4 \times 16$ screws

5. Final testing

After mounting the drawer front, check that the drawer operates freely and if necessary make adjustments